

Schäffer

THE DYNAMICS CLASS

4350 | 5680

6680 | 8600



**Superior strength
and high lift**

YARD LOADERS, WHEEL LOADERS AND TELESCOPIC LOADERS ...

from 20 HP (15 kW) to 157 HP (115 kW). At SCHÄFFER Loaders, we have a proud 50 year history of creating loaders for individual requirements. Our customers have made us what we are today: one of the world's most competitive and successful suppliers of yard loaders, wheel loaders and telescopic loaders. Every day our team creates new custom solutions that combine years of experience with a spirit of innovation. Our products set industry standards for reliability and durability, which means you save with lower servicing costs over the life of your vehicle. The Schaffer name is your assurance of superior performance, safety and comfort for years to come.

made by SCHÄFFER



THE DYNAMICS CLASS OF SCHÄFFER: STRENGTH AND HIGH LIFT

The dynamics class of SCHÄFFER: Still compact, efficient wheel loader for demanding tasks.

The standard Z kinematics with high break out forces fulfills highest performance requirements in construction business, in farming and all other industry. Typical of SCHÄFFER: the enormous lifting height. The Model 8600 Z is capable to lift loads up to 3.80 m, hardly another wheel loader of this class raises more highly.

The absolutely area Schäffer loaders are particularly popular for is the compact style and excellent agility, too. The machines increase productivity, save time and costs.

Wheel loader with built-in efficiency, naturally made by SCHÄFFER.

THE DYNAMIC CLASS

4350 Z | 37 kW (50 HP) **5680 Z** | 55 kW (75 HP)

6680 Z | 55 kW (75 HP) **8600 Z** | 75 kW (102 HP)





THE 4350 SCHÄFFER SERIES: THE COMPACT LOADERS WITH THE Z-BAR BOOM

Versatile, powerful and strong - the robust 4350 series makes the daily work so easy. Hard to believe what they can cope with. And because of its agility and low overall height exactly there where larger machines fail.



PURE ERGONOMICS



ERGONOMICS AT ITS BEST

The redesigned cabin of the 4350 Z and 5680 Z offers a very comfortable work environment. Here, the driver feels fit even after long working days. All operating and control instruments are clearly laid out and user friendly. The comfortable seat and the best leg room leave nothing to be desired. The generous use of glass allows the driver perfect visibility to the tool and maneuvering. All hydraulic functions can be integrated in the joystick, providing precise and sensitive single-lever control. The left hand remains on the steering wheel for safe operation.

STANDARD ON 4350 Z AND 5680 Z WITH CAB:



2x Dual Power working lamp front,
1x Single Power rear



Switch bar,
electric plug



Multifunctional joystick



Bottle holder,
battery switch



Perfect view upwards with roller blind

SCHÄFFER LOADER Z-SERIES: WORK POWERFULLY!

The SCHÄFFER 6680 Z and 8600 Z sets standards. Compact machine measurements at greatest possible strength and ergonomics. This type offers extremely high power and agility. Thanks to optimized geometry of loading arm the lifting capacity was improved again. The Z-kinematics delivers a comparative high tear out force, the parallel movement works very well. The SCV-cab is state of the art. The operator will enjoy his tasks even on long working days pretty much.

The SCV-Cab: ROPS and FOPS approved; very spacious, best ergonomics and all round view.

4-cyl. Deutz Common Rail diesel engine. Clean, moneysaving, powerful.

Axles in HD version: Standard with planetary axle and automatic limited-slip differential. Best thrust through optimal setup of axle, hydrostatic drive and diesel engine. The oscillating rear axle, ameliorate the stability by 30%.

Extremely strong articulation joint.





COMPUTER OPTIMIZED LOADING ARM WITH Z KINEMATICS - SIMPLY STRONG

Greatest break out and lifting forces, that's what SCHÄFFER stands for. At the computer with three-dimensional CAD system designed and optimized by our engineers and masters with 50 years experience. Due to better visibility narrow at the mounting and more wider at the tool. Even at demanding tasks all desires are met.

THE SCHÄFFER 8600 Z: ADVANTAGES AT A GLANCE

Low boom pivot for perfect view.

Z-bar linkage for
high break out force.

Very strong carriage, fast and safe
hydraulic coupling of tools.

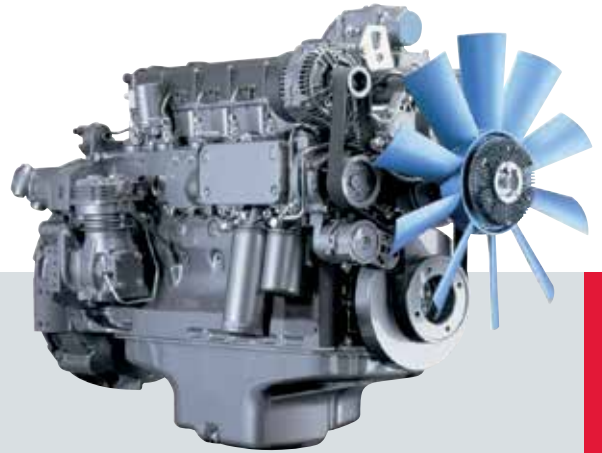
Versatile due to big
range of tools
and optional
equipment.

CAD optimized lifting arm,
best lifting height and reach,
perfect parallel lift.



SCHÄFFER 8600 Z: WITH 3.80 M LIFTING HEIGHT AT TOP OF IT'S CLASS

Nothing can replace lifting height – but lifting height. The 3.80 m of the SCHÄFFER 8600 Z is absolutely unchallenged. Good enough to stack about 8 bales of straw on top of each other. High feeder mixers or biogas plants are another specialty of the 8600 Z. Ton on ton easy loading, reliably over years. Only a wheel loader made by SCHÄFFER creates this.



Water cooled engines of Deutz. Indestructible, thrifty, quiet and strong. Together with SCHÄFFER 8600 Z series a winning team.



Oscillating axle in rear for more stability and higher excavating force.



SCHÄFFER LOADER WITH CAB „SCV“

The SCHÄFFER SCV-cab (Silence/Comfort/View) with which the 6600 and 8600 series loaders are equipped, offers more comfort for long working days. Already from the outside the cabin shows dynamism and power. You can really enjoy climbing due to the safe steps and the largely dimensioned doors. The interior design in friendly colors conforms to the demand for high quality standards which is typical for SCHÄFFER.

The seat in its standard version already offers real comfort and setting options. If desired an air spring seat is also available. The steering-wheel is adjustable in height and inclination. All operating elements and displays are arranged clearly and logically. All work hydraulics can be dosed absolutely delicately by means of a joystick. This is supported by the use of pre-controlled valves. Arm-rest and joystick form a unit with the seat and accept all movements of the seat. Pure ergonomics! All drivers will like the rear window of the SCV-cab which can be opened to have a better circulation of air.



AS STANDARD ON SCV CAB



Perfect view upwards with roller blind



Box with cover (8600 Z only)



Battery switch



Power plug



Bottle holder



2 x Dual Power working lamp front, 1 x Single Power rear



Arm-rest and joystick form a unit with the seat and accept all movements of the seat. Pure ergonomics!

TECHNICAL DATA

	4350 Z	5680 Z	6680 Z	8600 Z
Engine	4 Cyl. Kubota 37 kW (50 HP)	4 Cyl. Deutz Turbo 55 kW (75 HP)	4 Cyl. Deutz Turbo 55 kW (75 HP)	4 Cyl. Deutz Turbo Intercooler 75 kW (102 HP)
Driving hydraulics	Hydrostatic automotive HTF (High Traction Force)	Hydrostatic automotive HTF (High Traction Force)	Hydrostatic automotive HTF (High Traction Force)	Hydrostatic automotive HTF (High Traction Force)
Tyres	11.5/80 - 15.3 AS Option I 15.0/55 - 17 AS Option II 425/55 R17	15.0/55 - 17 AS Option I 425/55 R17 Option II 15.5/55R18	12.5/80-18AS Option I 15.5/60-18AS Option II 440/50-17 Option III 500/45-20	405/70-20 AS Option I 550/45-22.5
Service brake	Combination Hydrostatic and multiple-disk	Combination Hydrostatic and multiple-disk	Combination Hydrostatic and multiple-disk	Combination Hydrostatic and multiple-disk
Parking brake	Multiple Disk in Oil Bath	Multiple Disk in Oil Bath	Multiple Disk in Oil Bath	Multiple Disk in Oil Bath
Working hydraulics	Flow Rate: from 70 l/min Working Pressure: 200 bar	Flow Rate: from 72 l/min Working Pressure: 200 bar	Flow Rate: from 72 l/min Working Pressure: 200 bar	Flow Rate: from 105 l/min Working Pressure: 200 bar
Steering	Hydraulic Articulated Pendulum Steering	Hydraulic Articulated Pendulum Steering	Hydraulic Articulated Pendulum Steering	Hydraulic Articulated Pendulum Steering
Lifting capacity	2.400 kg	2.800 kg	3.100 kg	4.200 kg
Tip-over load, straight	2.200 kg**	2.500 kg**	3.000 kg**	3.800 kg**
Tip-over load, bent	1.700 kg**	2.000 kg**	2.550 kg**	3.200 kg**
Axles	Original SCHÄFFER axles, 6 wheel nut rim; planetary axle and automatic limited slip brake	Original SCHÄFFER axles, 6 wheel nut rim; planetary axle and automatic limited slip brake, Oscilating rear axle	DANA-axles, 8 wheel nut rim; planetary axle and automatic limited slip brake, Oscilating rear axle	ZF HD-axles, 8 wheel nut rim; planetary axle and automatic limited slip brake, Oscilating rear axle
Gross Vehicle Weight	protective roof: 3.400 kg cab: 3.520 kg	canopy: 4.000 kg cab: 4.150 kg	cab: 5.100 kg	cab: 5.550 kg/5.950 kg*
Speed	0 – 20 km/h, 2 speeds gear switching under load possible, Option: 0–30 km/h	0 – 20 km/h, 2 speeds gear switching under load possible, Option: 0–30 km/h	0 – 20 km/h, 2 speeds gear switching under load possible, Option: 0–35 km/h	0 – 20 km/h, 2 speeds gear switching under load possible, Option: 0–35 km/h
Electrical system	Operating Voltage 12 V	Operating Voltage 12 V	Operating Voltage 12 V	Operating Voltage 12 V
Fluid capacities	Fuel: 90 l Hydraulic oil: 60 l	Fuel: 65 l Hydraulic oil: 60 l	Fuel: 75 l Hydraulic oil: 65 l	Fuel: 95 l Hydraulic oil: 105 l

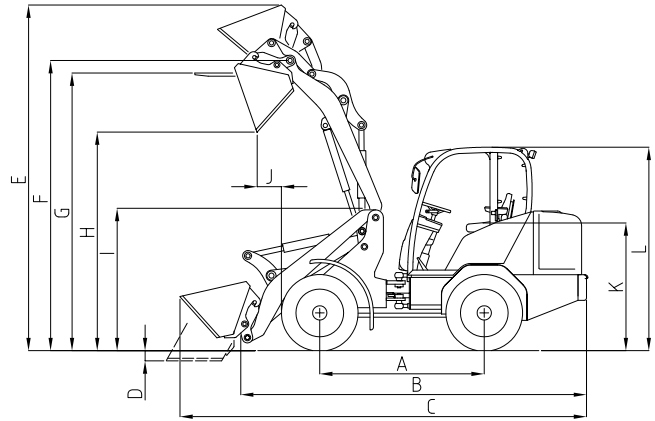
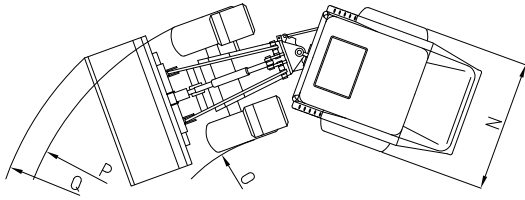
* Option: High lift

** Pallet fork and load arm in transport condition.

All technical specifications in this brochures refer to serial models and describe their standard functions. The equipment components and their functions as well as the accessories depend on the individual model and the product options and also on the country and customer specific requirements. Images may contain products or equipment components which are not mentioned or cannot be obtained as a standard. The descriptions, measurements, images, weight specifications and technical data correspond to the state of the art at the time of printing and are non-binding.

We reserve changes in the field of construction, equipment, optics and technology without prior notice, due to the continuous development of the products. In case of doubts concerning the performance or the mode of operation of our products due to special circumstances, we recommend the execution of work samples under controlled conditions. We cannot exclude deviations from images or measurements, calculation errors, printing errors or incompleteness in the brochures despite all due care. We do therefore not accept any liability for the correctness and completeness of the specifications in this brochures. We do guarantee the proper functioning of our products within the scope of our General Terms and Conditions. Any guarantees that go beyond these are on principle not provided. Any liability beyond the ones set out in our General Terms and Conditions is excluded.

DIMENSIONS



		4350 Z	5680 Z	6680 Z	8600 Z
A	Axle base [mm]	2.000	1.960	2.195	2.300
B	Chassis length [mm]	4.050	4.285	4.725	4.850
C	Total length with standard bucket [mm]	4.730	5.020	5.450	5.560
D	Excavating depth [mm]	120	120	120	160
E	Max. working height [mm]	4.060	4.070	4.120	4.035/4.435*
F	Max. bucket pivot point [mm]	3.260	3.400	3.400	3.400/3.800*
G	Max. loading height with pallet fork [mm]	3.050	3.175	3.225	3.175/3.575*
H	Max. load over height [mm]	2.500	2.700	2.700	2.700/3.100*
I	Max. dump height [mm]	1.570	1.640	1.690	1.625/1.825*
J	Dump range [mm]	640	925	925	465
K	Seat height [mm]	1.270	1.290	1.420	1.510
L	Height protective roof [mm] Height cab [mm]	2.270 2.220	2.320 2.320	- 2.430 / 2.543**	- 2.500/2.600**
N	Total width [mm]	1.230 – 1.710	1.420 – 1.710	1.590 – 1.900	1.850 – 2.080
O	Track arc inside [mm]	1.450	1.580	1.750	1.890
P	Track arc outside [mm]	2.680	3.190	3.320	3.450
Q	External radius with standard bucket [mm]	3.010	3.750	3.850	3.900

* Option: High lift **Option: High cab





The way SCHÄFFER loaders are developed, built and serviced is unique. The difference is our 50 years of experience. First, we think about the operator; we want to make his work safer, more comfortable – and more profitable. To this end, we are equipped with the most modern development and production technologies at our plant in Erwitte, Germany. Ultimately, it is our associates who work with our customers to continuously develop new solutions. Long years of commitment to the company combined with an enduring spirit of innovation are the basis of our exceptional worldwide success.

The name SCHÄFFER Loaders stands for more than one-of-a-kind product quality. It also stands for safety and optimal service, which we guarantee not only in Germany but around the globe.

The purchase of a SCHÄFFER loader is the beginning of a long-term relationship. Only original replacement parts allow your machine to remain a 100% true SCHÄFFER over the years. Only then will it guarantee the reliability you rightly expect. We offer you and our service partners a 24 hour delivery service – 7 days a week, 365 days a year.



made by SCHÄFFER

SCHÄFFER offers you a product line-up of over 40 different models, each of which can be adapted to your individual requirements. Our loaders can be used in many different industries: in agriculture or construction, in horticulture or landscaping, in industry and trade, in horse husbandry or warehousing. Whatever the industry, SCHÄFFER is always your first choice.



Your Dealer:

Schäffer

SCHÄFFER MASCHINENFABRIK GMBH
Postfach 10 67 | D-59591 Erwitte
Phone +49 02943 9709-0
Fax +49 02943 9709-50
info@schaeffler-lader.de
www.schaeffler-lader.de